

## TECHNICAL INFORMATION

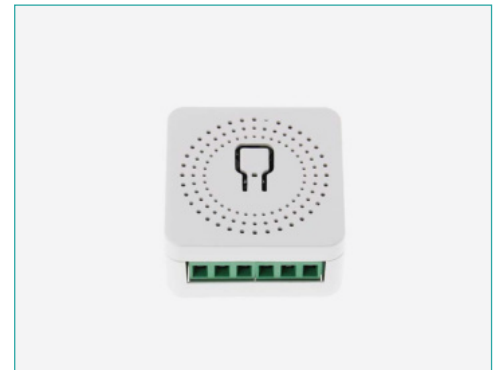
### MINI SWITCH WIFI

Mini Switch Wifi, ligue/desligue instantaneamente os dispositivos conectados onde quer que esteja através do aplicação Aron Smart. Funcionamento programável através de agendamento.

Mini Switch Wifi socket, instantly turn on/off connected devices wherever you are via the Aron Smart app.

Programmable operation through scheduling.

Mini Switch WiFi, enciende/apague instantáneamente los dispositivos conectados donde quiera que esté a través de la aplicación Aron Smart. Funcionamiento programable através de la programación.

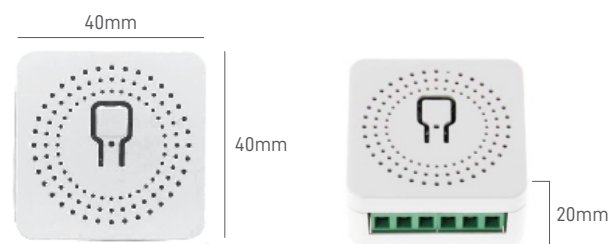


#### ILAR-01564

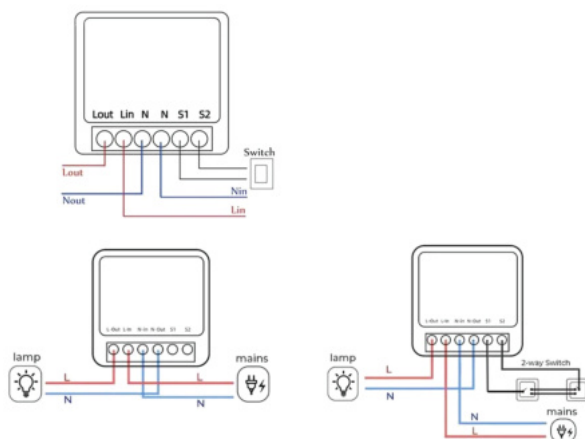
##### OUTPUT

Reference	ILAR-01564
WiFi Direct Connection	YES
Body Material	Aluminium/PVC
Remote Control	3G / 4G / WiFi on mobile
Input Voltage	220-240V 50/60Hz
Max. Load Current	10A/16A
WiFi Standard	2.4GHz 802.11b/g/n
Time Control	YES
APP Control	YES
Group Control	YES
Size	40x40x20mm

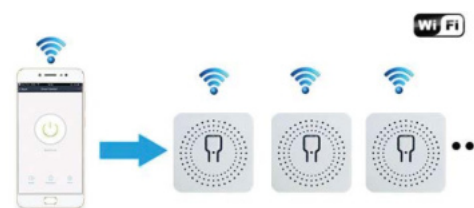
##### SIZE



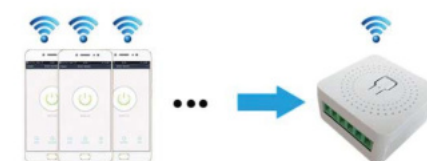
##### CONNECTION DIAGRAM (THERE WIRING METHODS)



##### APP CONTROL



##### Multiple phones control one switch



Designed by Aronlight in Portugal. Made in PRC

