

TECHNICAL INFORMATIONS

RGB + CCT WIRELESS PANEL TOUCH DIMMING

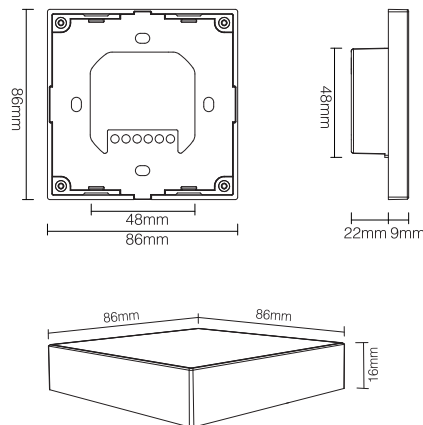


ILAR-01431

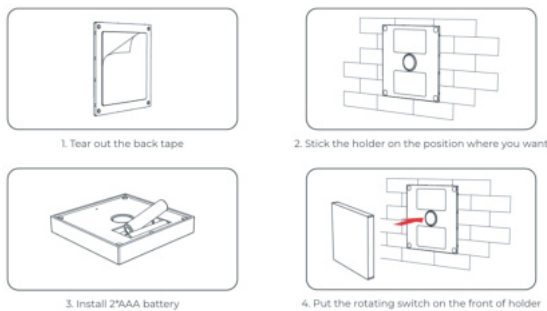
OUTPUT

SKU	ILAR-01431
Working Voltage	3V (AAA / 2PCS)
Standby Power Consumption	20µA
Transmitting Power	6dBm
RF	2.4GHz
Control Distance	30m
Transmission Frequency	2400-2483.5MHz
Modulation Method	GFSK
Working Temperature	-10°~40°C
Color temperature Adjustable	Yes
Saturation Adjustable	Yes
Brightness Adjustable	Yes

SIZE



INSTALLATION



Designed by Aronlight in Portugal. Made in PRC

