

TECHNICAL INFORMATIONS

PRADO PROJETOR CALHA

30W CCT

Projektor de calha orientável com tecnologia de alumínio em fundição injetada, elevado rigor geométrico e acabamentos de alta qualidade. Permite a escolha detemperatura de cor através de switch na parte traseira do projetor.

Orientable Track Light with die-cast aluminium technology, high geometric accuracy and highprecision surface finish. Allows the choice of color temperature through a switch on the back of the luminaire.

Proyector de carril orientable con tecnología de aluminio en fundición inyectada, alto rigor geométrico y acabados de alta calidad. Permite la elección de la temperatura de color a través de un interruptor en la parte posterior de la luminaria.

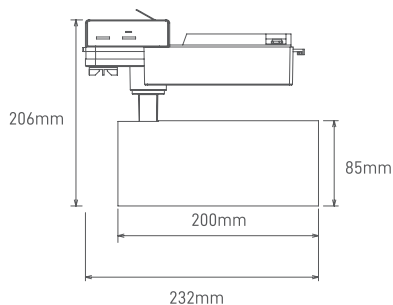


ILAR-00887

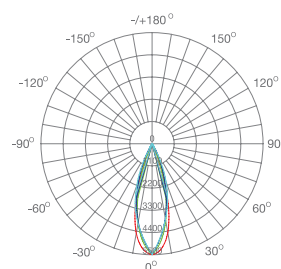
| REFERENCE | | DIMENSION & WEIGHT | | PHOTOMETRICAL DATA | |
|------------------------------------|---------------|--------------------|-------------------|------------------------|-----------------------|
| Reference | ILAR-00887 | Lenght | Ø85x232x206mm | Total Luminous Flux | 2300-2600lm |
| Led Type | Sanan | Width | - | Luminous Efficacy | 90lm/w |
| Mounting Type | Track Light | Height | - | Beam Angle | 38° |
| Body Material | Aluminium | Weight | 1.18Kg | Colour Temperature | 2700K / 4000K / 5700K |
| Housing Colour | White RAL9016 | Cutout | - | Colour Rendering Index | >80 |
| Driver Brand | - | Packaging Unit | Carton box 10 pcs | Colour Consistency | <=4 |
| Nominal Lifetime (EOL end of life) | 50.000h | Gross Weight | 12.5Kg | UGR | - |
| Dimmable | No | Volume | - | | |

| ELECTRICAL AND OPERATING DATA | | ENERGY LABEL & STANDARS | | CERTIFICATIONS | |
|-------------------------------|------------------|---------------------------------------|----------|----------------------------|---------|
| Nominal Wattage | 30W | Energy Label | A+ | 2014/30/EU (EMC Directive) | YES |
| Nominal Voltage | 200-240V | Energy Consumption KWH/1000H | 30 kWh | 2014/35/EU (LVD Directive) | YES |
| Operating Frequency | 50/60Hz | Type of Protection | IP20 | ROHS | YES |
| Power Factor | 0.9 | Protection Class | Class II | ENEC | - |
| Operating Temperature | - 30°C to + 40°C | Protecion Class IK (shock resistance) | IK03 | Warranty | 3 YEARS |
| Starting Time 100% ON | 0.0001 s | | | | |
| ON/OFF Cycles | >150000 | | | | |

SIZE



BEAM ANGLE



Designed by Aronlight in Portugal. Made in PRC



TECHNICAL INFORMATION

PRADO PROJETO CALHA

20W CCT

Projeto de calha orientável com tecnologia de alumínio em fundição injetada, elevado rigor geométrico e acabamentos de alta qualidade. Permite a escolha de temperatura de cor através de switch na parte traseira do projeto.

Orientable Track Light with die-cast aluminium technology, high geometric accuracy and high precision surface finish. Allows the choice of color temperature through a switch on the back of the luminaire.

Proyector de carril orientable con tecnología de aluminio en fundición inyectada, alto rigor geométrico y acabados de alta calidad. Permite la elección de la temperatura de color a través de un interruptor en la parte posterior de la luminaria.

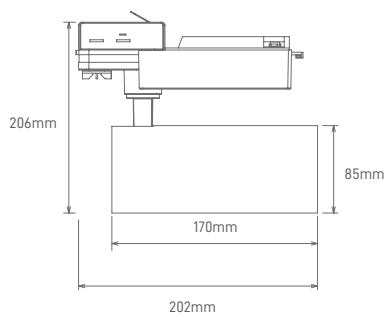


ILAR-01008

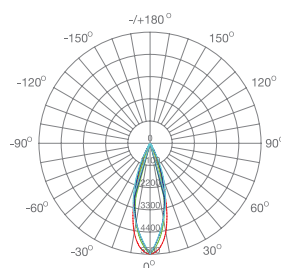
| REFERENCE | | DIMENSION & WEIGHT | | PHOTOMETRICAL DATA | |
|------------------------------------|----------------|--------------------|-------------------|------------------------|-----------------------|
| Reference | ILAR-01008 | Length | 202mm | Total Luminous Flux | 1600-1800lm |
| Led Type | Sanan | Width | Ø85mm | Luminous Efficacy | 90lm/w |
| Mounting Type | Track Light | Height | 170mm | Beam Angle | 38° |
| Body Material | Aluminium | Weight | - | Colour Temperature | 3000K / 4000K / 5700K |
| Housing Colour | Black RAL 9005 | Cutout | - | Colour Rendering Index | >80 |
| Body Shape | - | Packaging Unit | Carton box 10 pcs | Colour Consistency | <=4 |
| Nominal Lifetime (EOL end of life) | 50.000h | Gross Weight | 11.2Kg | UGR | - |
| Dimmable | No | Volume | - | | |

| ELECTRICAL AND OPERATING DATA | | ENERGY LABEL & STANDARDS | | CERTIFICATIONS | |
|-------------------------------|------------------|----------------------------------------|----------|----------------------------|---------|
| Nominal Wattage | 20W | Energy Label | A+ | 2014/30/EU (EMC Directive) | YES |
| Nominal Voltage | 220-240V | Energy Consumption KWH/1000H | 20 kWh | 2014/35/EU (LVD Directive) | YES |
| Operating Frequency | 50/60Hz | Type of Protection | IP20 | ROHS | YES |
| Power Factor | 0.9 | Protection Class | Class II | ENEC | - |
| Operating Temperature | - 30°C to + 40°C | Protection Class IK (shock resistance) | IK03 | Warranty | 3 YEARS |
| Starting Time 100% ON | 0.0001 s | | | | |
| ON/OFF Cycles | >15000 | | | | |

SIZE



BEAM ANGLE



Designed by Aronlight in Portugal. Made in PRC



TECHNICAL INFORMATION

PRADO PROJETO CALHA

20W CCT

Projeto de calha orientável com tecnologia de alumínio em fundição injetada, elevado rigor geométrico e acabamentos de alta qualidade. Permite a escolha de temperatura de cor através de switch na parte traseira do projeto.

Orientable Track Light with die-cast aluminium technology, high geometric accuracy and high precision surface finish. Allows the choice of color temperature through a switch on the back of the luminaire.

Proyector de carril orientable con tecnología de aluminio en fundición inyectada, alto rigor geométrico y acabados de alta calidad. Permite la elección de la temperatura de color a través de un interruptor en la parte posterior de la luminaria.

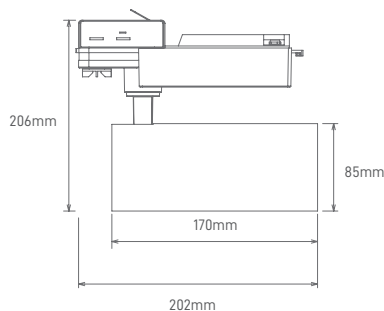


ILAR-01026

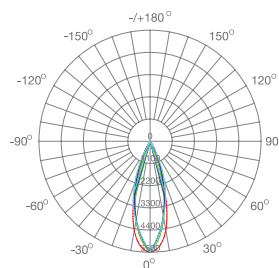
| REFERENCE | | DIMENSION & WEIGHT | | PHOTOMETRICAL DATA | |
|------------------------------------|----------------|--------------------|-------------------|------------------------|-----------------------|
| Reference | ILAR-01026 | Lenght | 202mm | Total Luminous Flux | 1600-1800lm |
| Led Type | Sanan | Width | Ø85mm | Luminous Efficacy | 90lm/w |
| Mounting Type | Track Light | Height | 170mm | Beam Angle | 38° |
| Body Material | Aluminium | Weight | - | Colour Temperature | 2700K / 4000K / 5700K |
| Housing Colour | White RAL 9016 | Cutout | - | Colour Rendering Index | >80 |
| Body Shape | - | Packaging Unit | Carton box 10 pcs | Colour Consistency | <=4 |
| Nominal Lifetime (EOL end of life) | 50.000h | Gross Weight | 11.2Kg | UGR | |
| Dimmable | No | Volume | - | | |

| ELECTRICAL AND OPERATING DATA | | ENERGY LABEL & STANDARS | | CERTIFICATIONS | |
|-------------------------------|------------------|----------------------------------------|----------|----------------------------|---------|
| Nominal Wattage | 20W | Energy Label | A+ | 2014/30/EU (EMC Directive) | YES |
| Nominal Voltage | 220-240V | Energy Consumption KWH/1000H | 20 kWh | 2014/35/EU (LVD Directive) | YES |
| Operating Frequency | 50/60Hz | Type of Protection | IP20 | ROHS | YES |
| Power Factor | 0.9 | Protection Class | Class II | ENEC | - |
| Operating Temperature | - 30°C to + 40°C | Proteccion Class IK (shock resistance) | IK03 | Warranty | 3 YEARS |
| Starting Time 100% ON | 0.0001 s | | | | |
| ON/OFF Cycles | >15000 | | | | |

SIZE



BEAM ANGLE



Designed by Aron Light in Portugal. Made in PRC

