

TECHNICAL INFORMATIONS

FONTE DE ALIMENTAÇÃO

36W 12V IP20

Fonte de Alimentação 12V - Fita LED IP20

Power Supply 12V - LED Strip IP20

Fuentes 12V - Tiras LED IP20



ILAR-00900

OUTPUT

Reference	ILAR-00900
DC voltage	12V
Rated Current	3A
Current Range	0-3A
Rated Power	36W
Ripple and Noise (Max) Note.2	150mVp-p
Voltage adjustment	10.8-13.2V
Voltage Accuracy Note3	±1%
Linear Adjustment Note4	±0.5%
Load Adjustment Note5	±0.5%
Start and rise time	1000ms, 30ms/230VAC
Hold time (Typ)	50ms/230VAC

DIMENSION & WEIGHT

Lenght	120mm
Width	40mm
Height	32mm
Weight	0.14kg
Cutout	-
Packaging Unit	1
Gross Weight	20.55kg / 150PCS
Volume	-

INPUT

Voltage range	90-264VAC/120-370VDC
Frequency range	47-63HZ
Efficiency (Typ)	80%
AC current (Typ)	0.57A/90V 0.37A/220V
Surge current (Typ)	Cold Start: 65A/230VAC
Current leak	<2mA/240VAC

PROTECTION

Overload	Larger than 105% of capacity restoration after abnormality removed
Overvoltage	-
Overheat	-
Warranty	2 Years

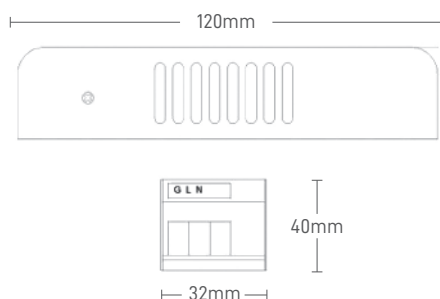
ENVIRONMENT

Working temp.	-20~+60°C (Refer to the tenuation curve)
Working humidity	20-90% RH, without condense
Storage temp & hmdty	-40~+80°C
Temp. coefficient	±0.03%/0°C (0-50°C)
Vibration proof	10-500HZ, 5G 10min / Cycle, X, Y, Z axes 60 min each

SAFETY REG. & EMC (NOTE. 6)

Safety regulation	GB195110.1-2004 IEC61347-1:2003 CE(EMC+LVD)
Voltage proof	I/P-O/P:1.5KVAC
Insulation resistance	I/P-O/P:100M OHMS/500VDC/ 25°C/70% RH
EMC irradiation	EN 55015:2006; EN61000-3-2:1995+A2:2005
EMC disturbance proof	EN 61000-3-2:2006;

SIZE



Designed by Aronlight in Portugal. Made in PRC





TECHNICAL INFORMATIONS

FONTE DE ALIMENTAÇÃO

60W 12V IP20

Fonte de Alimentação 12V - Fita LED IP20

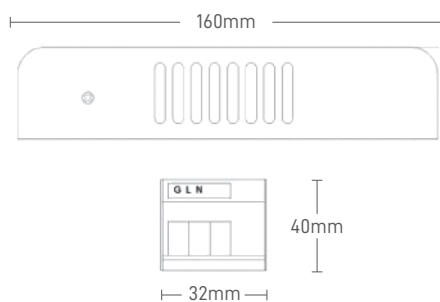
Power Supply 12V - LED Strip IP20

Fuentes 12V - Tiras LED IP20



ILAR-00901

OUTPUT		DIMENSION & WEIGHT		INPUT	
Reference	ILAR-00901	Lenght	160mm	Voltage range	175-264VAC/120-370VDC
DC voltage	12V	Width	40mm	Frequency range	50HZ
Rated Current	5A	Height	32mm	Efficiency (Typ)	80%
Current Range	0-5A	Weight	0.176kg	AC current (Typ)	0.92A/90V 0.38A/220V
Rated Power	60W	Cutout	-	Surge current (Typ)	Cold Start: 65A/230VAC
Ripple and Noise (Max) Note.2	150mVp-p	Packaging Unit	1	Current leak	<2mA/240VAC
Voltage adjustment	10.8-13.2V	Gross Weight	17.6kg / 100PCS		
Voltage Accuracy Note3	±1%	Volume	-		
Linear Adjustment Note4	±0.5%				
Load Adjustment Note5	±0.5%				
Start and rise time	1000ms, 30ms/230VAC				
Hold time (Typ)	50ms/230VAC				
PROTECTION		ENVIRONMENT		SAFETY REG. & EMC (NOTE. 6)	
Overload	Larger than 105% of capacity restoration after abnormity removed	Working temp.	-20~+60°C (Refer to the tenuation curve)	Safety regulation	GB195110.1-2004 IEC61347-1:2003 CE(EMC+LVD)
Overvoltage	-	Working humidity	20-90% RH, without condense	Voltage proof	I/P-O/P:1.5KVAC
Overheat	-	Storage temp & hmdty	-40~+80°C	Insulation resistance	I/P-O/P:100M OHMS/500VDC/ 25°C/70% RH
Warranty	2 Years	Temp. coefficient	±0.03%/0°C (0-50°C)	EMC irradiation	EN 55015:2006; EN61000-3-2:1995+A2:2005
		Vibration proof	10-500HZ, 5G 10min / Cycle, X, Y, Z axes 60 min each	EMC disturbance proof	EN 61000-3-2:2006;
SIZE					



Designed by Aronlight in Portugal. Made in PRC



TECHNICAL INFORMATIONS

FONTE DE ALIMENTAÇÃO

36W 24V IP20

Fonte de Alimentação 24V - Fita LED IP20

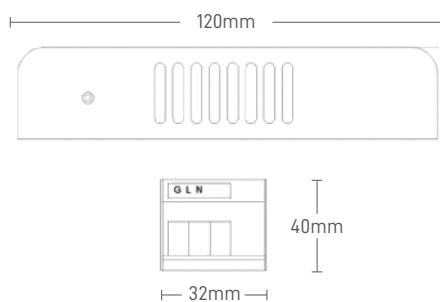
Power Supply 24V - LED Strip IP20

Fuentes 24V - Tiras LED IP20



ILAR-00902

OUTPUT		DIMENSION & WEIGHT		INPUT	
Reference	ILAR-00902	Lenght	120mm	Voltage range	90-264VAC/120-370VDC
DC voltage	24V	Width	40mm	Frequency range	47-63HZ
Rated Current	1.5A	Height	32mm	Efficiency (Typ)	82%
Current Range	0-1.5A	Weight	0.14kg	AC current (Typ)	0.57A/90V 0.37A/220V
Rated Power	36W	Cutout	-	Surge current (Typ)	Cold Start: 65A/230VAC
Ripple and Noise (Max) Note.2	240mVp-p	Packaging Unit	1	Current leak	<2mA/240VAC
Voltage adjustment	22-27.6V	Gross Weight	20.55kg / 150PCS		
Voltage Accuracy Note3	±1%	Volume	-		
Linear Adjustment Note4	±0.5%				
Load Adjustment Note5	±0.5%				
Start and rise time	1000ms, 30ms/230VAC				
Hold time (Typ)	50ms/230VAC				
PROTECTION		ENVIRONMENT		SAFETY REG. & EMC (NOTE. 6)	
Overload	Larger than 105% of capacity restoration after abnormity removed	Working temp.	-20~+60°C (Refer to the tenuation curve)	Safety regulation	GB195110.1-2004 IEC61347-1:2003 CE(EMC+LVD)
Overvoltage	-	Working humidity	20-90% RH, without condense	Voltage proof	I/P-O/P:1.5KVAC
Overheat	-	Storage temp & hmdty	-40~+80°C	Insulation resistance	I/P-O/P:100M OHMS/500VDC/ 25°C/70% RH
Warranty	2 Years	Temp. coefficient	±0.03%/0°C (0-50°C)	EMC irradiation	EN 55015:2006; EN61000-3-2:1995+A2:2005
		Vibration proof	10-500HZ, 5G 10min / Cycle, X, Y, Z axes 60 min each	EMC disturbance proof	EN 61000-3-2:2006;
SIZE					



Designed by Aronlight in Portugal. Made in PRC



TECHNICAL INFORMATIONS

FONTE DE ALIMENTAÇÃO

60W 24V IP20

Fonte de Alimentação 24V - Fita LED IP20

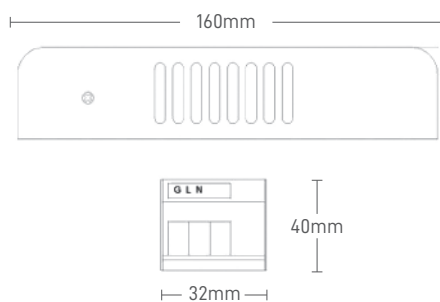
Power Supply 24V - LED Strip IP20

Fuentes 24V - Tiras LED IP20



ILAR-00903

OUTPUT		DIMENSION & WEIGHT		INPUT	
Reference	ILAR-00903	Lenght	160mm	Voltage range	175-264VAC/120-370VDC
DC voltage	24V	Width	40mm	Frequency range	50HZ
Rated Current	2.5A	Height	32mm	Efficiency (Typ)	82%
Current Range	0-2.5A	Weight	0.176kg	AC current (Typ)	0.92A/90V 0.38A/220V
Rated Power	60W	Cutout	-	Surge current (Typ)	Cold Start: 65A/230VAC
Ripple and Noise (Max) Note.2	240mVp-p	Packaging Unit	1	Current leak	<2mA/240VAC
Voltage adjustment	22-27.6V	Gross Weight	17.6kg / 100PCS		
Voltage Accuracy Note3	±1%	Volume	-		
Linear Adjustment Note4	±0.5%				
Load Adjustment Note5	±0.5%				
Start and rise time	1000ms, 30ms/230VAC				
Hold time (Typ)	50ms/230VAC				
PROTECTION		ENVIRONMENT		SAFETY REG. & EMC (NOTE. 6)	
Overload	Larger than 105% of capacity restoration after abnormity removed	Working temp.	-20~+60°C (Refer to the tenuation curve)	Safety regulation	GB195110.1-2004 IEC61347-1:2003 CE(EMC+LVD)
Overvoltage	-	Working humidity	20-90% RH, without condense	Voltage proof	I/P-O/P:1.5KVAC
Overheat	-	Storage temp & hmdty	-40~+80°C	Insulation resistance	I/P-O/P:100M OHMS/500VDC/ 25°C/70% RH
Warranty	2 Years	Temp. coefficient	±0.03%/0°C (0-50°C)	EMC irradiation	EN 55015:2006; EN61000-3-2:1995+A2:2005
		Vibration proof	10-500HZ, 5G 10min / Cycle, X, Y, Z axes 60 min each	EMC disturbance proof	EN 61000-3-2:2006;
SIZE					



Designed by Aronlight in Portugal. Made in PRC



TECHNICAL INFORMATIONS

FONTE DE ALIMENTAÇÃO

100W 24V IP20

Fonte de Alimentação 24V - Fita LED IP20

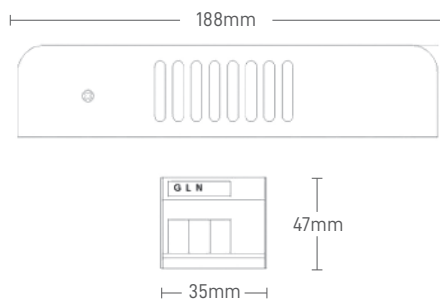
Power Supply 24V - LED Strip IP20

Fuentes 24V - Tiras LED IP20



ILAR-00904

OUTPUT		DIMENSION & WEIGHT		INPUT	
Reference	ILAR-00904	Lenght	188mm	Voltage range	AC 110V±15%/AC 220±15%
DC voltage	24V	Width	47mm	Frequency range	50HZ/60HZ
Rated Current	4.17A	Height	35mm	Efficiency (Typ)	82%
Current Range	0-4.17A	Weight	0.255kg	AC current (Typ)	1.89A/110V 0.95A/220V
Rated Power	100W	Cutout	-	Surge current (Typ)	Cold Start: 65A/230VAC
Ripple and Noise (Max) Note.2	240mVp-p	Packaging Unit	1	Current leak	<2mA/240VAC
Voltage adjustment	22-27.6V	Gross Weight	15.3kg / 60PCS		
Voltage Accuracy Note3	±1%	Volume	-		
Linear Adjustment Note4	±0.5%				
Load Adjustment Note5	±0.5%				
Start and rise time	1000ms, 30ms/230VAC				
Hold time (Typ)	50ms/230VAC 10ms/115AC change by switch				
PROTECTION		ENVIRONMENT		SAFETY REG. & EMC (NOTE. 6)	
Overload	Larger than 105% of capacity restoration after abnormity removed	Working temp.	-20~+60°C (Refer to the tenuation curve)	Safety regulation	GB195110.1-2004 IEC61347-1:2003 CE(EMC+LVD)
Overvoltage	-	Working humidity	20-90% RH, without condense	Voltage proof	I/P-O/P:1.5KVAC
Overheat	-	Storage temp & hmdty	-40~+80°C	Insulation resistance	I/P-O/P:100M OHMS/500VDC/ 25°C/70% RH
Warranty	2 Years	Temp. coefficient	±0.03%/0°C (0-50°C)	EMC irradiation	EN 55015:2006; EN61000-3-2:1995+A2:2005
		Vibration proof	10-500HZ, 5G 10min / Cycle, X, Y, Z axes 60 min each	EMC disturbance proof	EN 61000-3-2:2006;
SIZE					



Designed by Aronlight in Portugal. Made in PRC



TECHNICAL INFORMATIONS

FONTE DE ALIMENTAÇÃO

120W 24V IP20

Fonte de Alimentação 24V - Fita LED IP20

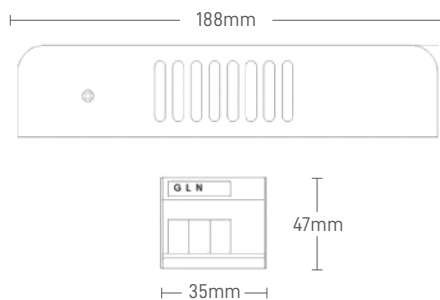
Power Supply 24V - LED Strip IP20

Fuentes 24V - Tiras LED IP20



ILAR-00905

OUTPUT		DIMENSION & WEIGHT		INPUT	
Reference	ILAR-00905	Lenght	188mm	Voltage range	176-264AC/250-360VDC
DC voltage	24V	Width	47mm	Frequency range	50HZ
Rated Current	5A	Height	35mm	Efficiency (Typ)	82%
Current Range	0-5A	Weight	0.255kg	AC current (Typ)	1.42A/176V 1.1A/220V
Rated Power	120W	Cutout	-	Surge current (Typ)	Cold Start: 65A/230VAC
Ripple and Noise (Max) Note.2	240mVp-p	Packaging Unit	1	Current leak	<2mA/240VAC
Voltage adjustment	22-27.6V	Gross Weight	15.3kg / 60PCS		
Voltage Accuracy Note3	±1%	Volume	-		
Linear Adjustment Note4	±0.5%				
Load Adjustment Note5	±0.5%				
Start and rise time	1000ms, 30ms/230VAC				
Hold time (Typ)	50ms/230VAC 10ms/115AC				
PROTECTION		ENVIRONMENT		SAFETY REG. & EMC (NOTE. 6)	
Overload	Larger than 105% of capacity restoration after abnormity removed	Working temp.	-20~+60°C (Refer to the tenuation curve)	Safety regulation	GB195110.1-2004 IEC61347-1:2003 CE(EMC+LVD)
Overvoltage	-	Working humidity	20-90% RH, without condense	Voltage proof	I/P-O/P:1.5KVAC
Overheat	-	Storage temp & hmdty	-40~+80°C	Insulation resistance	I/P-O/P:100M OHMS/500VDC/ 25°C/70% RH
Warranty	2 Years	Temp. coefficient	±0.03%/0°C (0-50°C)	EMC irradiation	EN 55015:2006; EN61000-3-2:1995+A2:2005
		Vibration proof	10-500HZ, 5G 10min / Cycle, X, Y, Z axes 60 min each	EMC disturbance proof	EN 61000-3-2:2006;
SIZE					



Designed by Aronlight in Portugal. Made in PRC



TECHNICAL INFORMATIONS

FONTE DE ALIMENTAÇÃO

150W 24V IP20

Fonte de Alimentação 24V - Fita LED IP20

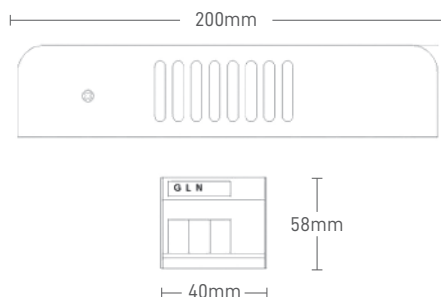
Power Supply 24V - LED Strip IP20

Fuentes 24V - Tiras LED IP20



ILAR-00906

OUTPUT		DIMENSION & WEIGHT		INPUT	
Reference	ILAR-00906	Lenght	200mm	Voltage range	AC 110V±15% / AC 220±15%
DC voltage	24V	Width	58mm		changed by switch
Rated Current	6.3A	Height	40mm	Frequency range	50HZ/60HZ
Current Range	0-6.3A	Weight	0.45kg	Efficiency (Typ)	82%
Rated Power	150W	Cutout	-	AC current (Typ)	2.8A/110V 1.4A/220V
Ripple and Noise (Max) Note.2	240mVp-p	Packaging Unit	1	Surge current (Typ)	Cold Start: 65A/230VAC
Voltage adjustment	22-27.6V	Gross Weight	18kg / 40PCS	Current leak	<2mA/240VAC
Voltage Accuracy Note3	±1%	Volume	-		
Linear Adjustment Note4	±0.5%				
Load Adjustment Note5	±0.5%				
Start and rise time	1000ms, 30ms/230VAC				
Hold time (Typ)	50ms/230VAC 10ms/115AC				
PROTECTION		ENVIRONMENT		SAFETY REG. & EMC (NOTE. 6)	
Overload	Larger than 105% of capacity restoration after abnormity removed	Working temp.	-20-+60°C (Refer to the tenuation curve)	Safety regulation	GB195110.1-2004 IEC61347-1:2003 CE(EMC+LVD)
Overvoltage	-	Working humidity	20-90% RH, without condense	Voltage proof	I/P-O/P:1.5KVAC
Overheat	-	Storage temp & hmdty	-40-+80°C	Insulation resistance	I/P-O/P:100M OHMS/500VDC/ 25°C/70% RH
Warranty	2 Years	Temp. coefficient	±0.03%/0°C (0-50°C)	EMC irradiation	EN 55015:2006; EN61000-3-2:1995+A2:2005
		Vibration proof	10-500HZ, 5G 10min / Cycle, X, Y, Z axes 60 min each	EMC disturbance proof	EN 61000-3-2:2006;
SIZE					



Designed by Aronlight in Portugal. Made in PRC





TECHNICAL INFORMATIONS

FONTE DE ALIMENTAÇÃO

200W 24V IP20

Fonte de Alimentação 24V - Fita LED IP20

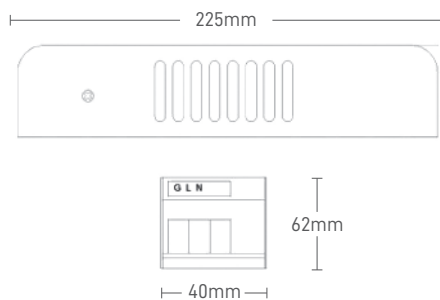
Power Supply 24V - LED Strip IP20

Fuentes 24V - Tiras LED IP20



ILAR-00907

OUTPUT		DIMENSION & WEIGHT		INPUT	
Reference	ILAR-00907	Lenght	225mm	Voltage range	AC 110V±15% / AC 220±15%
DC voltage	24V	Width	62mm		changed by switch
Rated Current	8.3A	Height	40mm	Frequency range	50HZ/60HZ
Current Range	0-8.3A	Weight	0.55kg	Efficiency (Typ)	82%
Rated Power	200W	Cutout	-	AC current (Typ)	3.7A/110V 1.8A/220V
Ripple and Noise (Max) Note.2	240mVp-p	Packaging Unit	1	Surge current (Typ)	Cold Start: 65A/230VAC
Voltage adjustment	22-27.6V	Gross Weight	16.5kg / 30PCS	Current leak	<2mA/240VAC
Voltage Accuracy Note3	±1%	Volume	-		
Linear Adjustment Note4	±0.5%				
Load Adjustment Note5	±0.5%				
Start and rise time	1000ms, 30ms/230VAC				
Hold time (Typ)	50ms/230VAC 10ms/115AC				
PROTECTION		ENVIRONMENT		SAFETY REG. & EMC (NOTE. 6)	
Overload	Larger than 105% of capacity restoration after abnormity removed	Working temp.	-20~+60°C (Refer to the tenuation curve)	Safety regulation	GB195110.1-2004 IEC61347-1:2003 CE(EMC+LVD)
Overvoltage	-	Working humidity	20-90% RH, without condense	Voltage proof	I/P-O/P:1.5KVAC
Overheat	-	Storage temp & hmdty	-40~+80°C	Insulation resistance	I/P-O/P:100M OHMS/500VDC/ 25°C/70% RH
Warranty	2 Years	Temp. coefficient	±0.03%/0°C (0-50°C)	EMC irradiation	EN 55015:2006; EN61000-3-2:1995+A2:2005
		Vibration proof	10-500HZ, 5G 10min / Cycle, X, Y, Z axes 60 min each	EMC disturbance proof	EN 61000-3-2:2006;
SIZE					



Designed by Aronlight in Portugal. Made in PRC



TECHNICAL INFORMATIONS

FONTE DE ALIMENTAÇÃO

80W 24V IP20

Fonte de Alimentação 24V - Fita LED IP20

Power Supply 24V - LED Strip IP20

Fuentes 24V - Tiras LED IP20



ILAR-00989

OUTPUT

Reference	ILAR-00989
DC voltage	24V
Rated Current	3.33A
Current Range	0-2.5A
Rated Power	80W
Ripple and Noise (Max) Note.2	240mVp-p
Voltage adjustment	22-27.6V
Voltage Accuracy Note3	±1%
Linear Adjustment Note4	±0.5%
Load Adjustment Note5	±0.5%
Start and rise time	1000ms, 30ms/230VAC
Hold time (Typ)	50ms/230VAC 10ms/115AC

DIMENSION & WEIGHT

Lenght	188mm
Width	47mm
Height	35mm
Weight	0.180Kg
Cutout	-
Packaging Unit	1
Gross Weight	15.3kg / 60PCS
Volume	-

INPUT

Voltage range	AC 110V±15%/AC 220±15%
Frequency range	50HZ/60HZ
Efficiency (Typ)	82%
AC current (Typ)	0.57A/100V 0.23A/220V
Surge current (Typ)	Cold Start: 65A/230VAC
Current leak	<2mA/240VAC

PROTECTION

Overload	Larger than 105% of capacity restoration after abnormity removed
Overvoltage	-
Overheat	-
Warranty	2 Years
Surge Protection	1~1.5KV

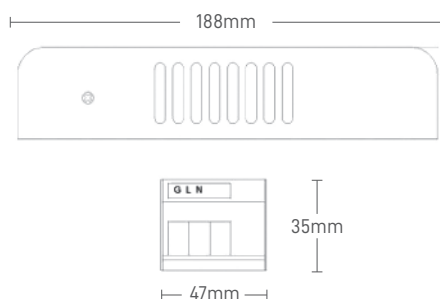
ENVIRONMENT

Working temp.	-20~+60°C (Refer to the tenuation curve)
Working humidity	20-90% RH, without condense
Storage temp & hmdty	-40~+80°C
Temp. coefficient	±0.03%/0°C (0-50°C)
Vibration proof	10-500HZ, 5G 10min / Cycle, X, Y, Z axes 60 min each

SAFETY REG. & EMC (NOTE. 6)

Safety regulation	GB195110.1-2004 IEC61347-1:2003 CE(EMC+LVD)
Voltage proof	I/P-O/P:1.5KVAC
Insulation resistance	I/P-O/P:100M OHMS/500VDC/ 25°C/70% RH
EMC irradiation	EN 55015:2006; EN61000-3-2:1995+A2:2005
EMC disturbance proof	EN 61000-3-2:2006;

SIZE



Designed by Aronlight in Portugal. Made in PRC



TECHNICAL INFORMATIONS

FONTE DE ALIMENTAÇÃO

250W 24V IP20

Fonte de Alimentação 24V - Fita LED IP20

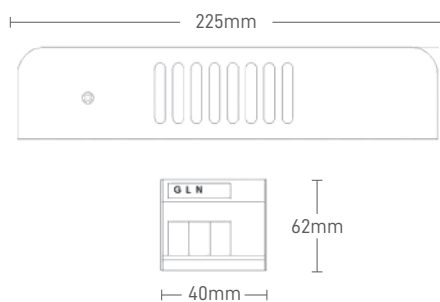
Power Supply 24V - LED Strip IP20

Fuentes 24V - Tiras LED IP20



ILAR-01147

OUTPUT		DIMENSION & WEIGHT		INPUT	
Reference	ILAR-01147	Lenght	225mm	Voltage range	AC 110V±15% / AC 220±15%
DC voltage	24V	Width	62mm		changed by switch
Rated Current	10.41A	Height	40mm	Frequency range	50HZ/60HZ
Current Range	0-8.3A	Weight	0.55kg	Efficiency (Typ)	82%
Rated Power	250W	Cutout	-	AC current (Typ)	3.7A/110V 1.8A/220V
Ripple and Noise (Max) Note.2	240mVp-p	Packaging Unit	1	Surge current (Typ)	Cold Start: 65A/230VAC
Voltage adjustment	22-27.6V	Gross Weight	16.5kg / 30PCS	Current leak	<2mA/240VAC
Voltage Accuracy Note3	±1%	Volume	-		
Linear Adjustment Note4	±0.5%				
Load Adjustment Note5	±0.5%				
Start and rise time	1000ms, 30ms/230VAC				
Hold time (Typ)	50ms/230VAC 10ms/115AC				
PROTECTION		ENVIRONMENT		SAFETY REG. & EMC (NOTE. 6)	
Overload	Larger than 105% of capacity restoration after abnormity removed	Working temp.	-20~+60°C (Refer to the tenuation curve)	Safety regulation	GB195110.1-2004 IEC61347-1:2003 CE(EMC+LVD)
Overvoltage	-	Working humidity	20-90% RH, without condense	Voltage proof	I/P-O/P:1.5KVAC
Overheat	-	Storage temp & hmdty	-40~+80°C	Insulation resistance	I/P-O/P:100M OHMS/500VDC/ 25°C/70% RH
Warranty	2 Years	Temp. coefficient	±0.03%/0°C (0-50°C)	EMC irradiation	EN 55015:2006; EN61000-3-2:1995+A2:2005
		Vibration proof	10-500HZ, 5G 10min / Cycle, X, Y, Z axes 60 min each	EMC disturbance proof	EN 61000-3-2:2006;
SIZE					



Designed by Aronlight in Portugal. Made in PRC



TECHNICAL INFORMATIONS

FONTE DE ALIMENTAÇÃO

320W 24V IP20

Fonte de Alimentação 24V - Fita LED IP20

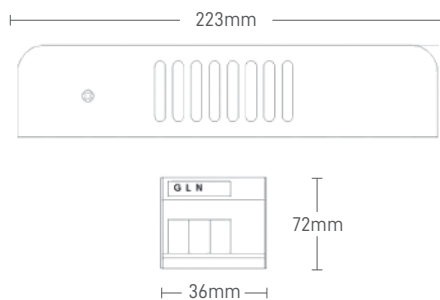
Power Supply 24V - LED Strip IP20

Fuentes 24V - Tiras LED IP20



ILAR-01148

OUTPUT		DIMENSION & WEIGHT		INPUT	
Reference	ILAR-01148	Lenght	223mm	Voltage range	AC 110V±15% / AC 220±15%
DC voltage	24V	Width	73mm		changed by switch
Rated Current	13.3A	Height	36mm	Frequency range	50HZ/60HZ
Current Range	-	Weight	0.6kg	Efficiency (Typ)	82%
Rated Power	320W	Cutout	-	AC current (Typ)	3.7A/110V 1.8A/220V
Ripple and Noise (Max) Note.2	240mVp-p	Packaging Unit	1	Surge current (Typ)	Cold Start: 65A/230VAC
Voltage adjustment	22-27.6V	Gross Weight	-	Current leak	<2mA/240VAC
Voltage Accuracy Note3	±1%	Volume	-		
Linear Adjustment Note4	±0.5%				
Load Adjustment Note5	±0.5%				
Start and rise time	1000ms, 30ms/230VAC				
Hold time (Typ)	50ms/230VAC 10ms/115AC				
PROTECTION		ENVIRONMENT		SAFETY REG. & EMC (NOTE. 6)	
Overload	Larger than 105% of capacity restoration after abnormity removed	Working temp.	-20~+60°C (Refer to the tenuation curve)	Safety regulation	GB195110.1-2004 IEC61347-1:2003 CE(EMC+LVD)
Overvoltage	-	Working humidity	20-90% RH, without condense	Voltage proof	I/P-O/P:1.5KVAC
Overheat	-	Storage temp & hmdty	-40~+80°C	Insulation resistance	I/P-O/P:100M OHMS/500VDC/ 25°C/70% RH
Warranty	2 Years	Temp. coefficient	±0.03%/0°C (0-50°C)	EMC irradiation	EN 55015:2006; EN61000-3-2:1995+A2:2005
		Vibration proof	10-500HZ, 5G 10min / Cycle, X, Y, Z axes 60 min each	EMC disturbance proof	EN 61000-3-2:2006;
SIZE					



Designed by Aronlight in Portugal. Made in PRC

