



TECHNICAL INFORMATIONS

FONTE DE ALIMENTAÇÃO

36W 24V IP20

Fonte de Alimentação 24V - Fita LED IP20

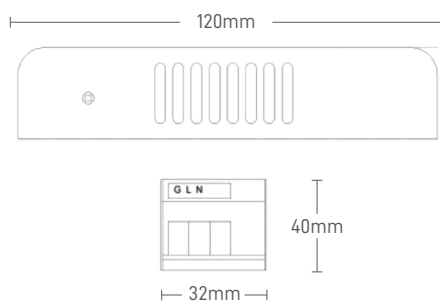
Power Supply 24V - LED Strip IP20

Fuentes 24V - Tiras LED IP20



ILAR-00902

OUTPUT		DIMENSION & WEIGHT		INPUT	
Reference	ILAR-00902	Lenght	120mm	Voltage range	90-264VAC/120-370VDC
DC voltage	24V	Width	40mm	Frequency range	47-63HZ
Rated Current	1.5A	Height	32mm	Efficiency (Typ)	82%
Current Range	0-1.5A	Weight	0.14kg	AC current (Typ)	0.57A/90V 0.37A/220V
Rated Power	36W	Cutout	-	Surge current (Typ)	Cold Start: 65A/230VAC
Ripple and Noise (Max) Note.2	240mVp-p	Packaging Unit	1	Current leak	<2mA/240VAC
Voltage adjustment	22-27.6V	Gross Weight	20.55kg / 150PCS		
Voltage Accuracy Note3	±1%	Volume	-		
Linear Adjustment Note4	±0.5%				
Load Adjustment Note5	±0.5%				
Start and rise time	1000ms, 30ms/230VAC				
Hold time (Typ)	50ms/230VAC				
PROTECTION		ENVIRONMENT		SAFETY REG. & EMC (NOTE. 6)	
Overload	Larger than 105% of capacity restoration after abnormity removed	Working temp.	-20~+60°C (Refer to the tenuation curve)	Safety regulation	GB195110.1-2004 IEC61347-1:2003 CE(EMC+LVD)
Overvoltage	-	Working humidity	20-90% RH, without condense	Voltage proof	I/P-O/P:1.5KVAC
Overheat	-	Storage temp & hmdty	-40~+80°C	Insulation resistance	I/P-O/P:100M OHMS/500VDC/ 25°C/70% RH
Warranty	2 Years	Temp. coefficient	±0.03%/0°C (0-50°C)	EMC irradiation	EN 55015:2006; EN61000-3-2:1995+A2:2005
		Vibration proof	10-500HZ, 5G 10min / Cycle, X, Y, Z axes 60 min each	EMC disturbance proof	EN 61000-3-2:2006;
SIZE					



Designed by Aronlight in Portugal. Made in PRC

