

TECHNICAL INFORMATIONS

PROJETOR LED IP65

30W 3000K BLACK

Série profissional de projetores IP65 com 94% de eficiência luminosa, corpo em alumínio fundido de alta intensidade, vidro temperado de alta qualidade que resiste ao impacto e ao atrito.

Professional floodlight series with 94% luminous efficiency, body of high intensity die-cast aluminum, high quality tempered glass that resist the impact and friction.

Serie profesional de proyectores IP65 con un 94% de eficiencia luminosa, cuerpo de aluminio fundido de alta intensidad, vidrio templado de alta calidad que resiste el impacto y la fricción.



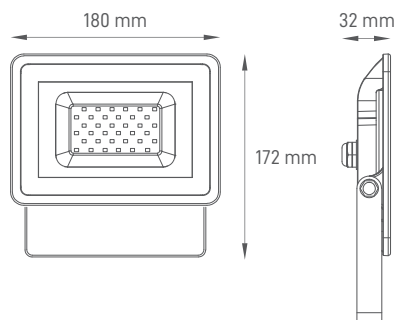
ILAR-00393

| REFERENCE | | DIMENSION & WEIGHT | | PHOTOMETRICAL DATA | |
|------------------|--------------------|--------------------|-----------------|------------------------|--------|
| Reference | ILAR-00393 | Size Piece | 180x172x32mm | Total Luminous Flux | 2600lm |
| Led Type | Epistar LED | Weight Piece | - | Luminous Efficacy | 90Lm/W |
| Body Material | Die Cast Aluminium | Item Volume | - | Beam Angle | 120° |
| Body Colour | Black | Itens per Pack | 1 | Colour Temperature | 3000K |
| Nominal Lifetime | 30000h | Itens per Box | 20 pcs / carton | Colour Rendering Index | >80 |
| Dimmable | No | | | Colour Stability | <6 |
| Cable Size | 50cm | | | | |

| ELECTRICAL AND OPERATING DATA | | ENERGY LABEL & STANDARS | | CERTIFICATIONS | |
|-------------------------------|--------------------|---------------------------------------|---------|----------------|---------|
| Nominal Wattage | 30W | Energy Label | A+ | CE Directive | YES |
| Nominal Voltage | AC220-240V | Energy Consumption KWH/1000H | 6KWH | ROHS | YES |
| ON/OFF Cycles | >15000 | Type of Protection | IP65 | ENEC | YES |
| Operating Frequency | 50/60Hz | Protection Class | Class I | Warranty | 2 YEARS |
| Power Factor | >0.9 | Protecion Class IK (shock resistance) | IK06 | | |
| Operating Temperature | - 30° C to + 40° C | | | | |
| Power Supply | DOB | | | | |

SIZE

BEAM ANGLE



Designed by Aron Light in Portugal. Made in PRC

