

TECHNICAL INFORMATION

ST754

DETECTOR DE MOVIMENTO

Detector de movimento com tecnologia Micro-ondas para instalação em parede interior (IP20). Tem ângulo de deteção de 180°, alcance de 5 a 15mts e carga máxima suportada de 1200W (Incand.) ou 300W (LED).

Microwave motion detector for indoor wall mounting (IP20). It has 180° detection angle, range of 5 to 15mts and maximum supported load of 1200W (Incand.) or 300W (LED).

Detector de movimiento por Microondas para montaje en pared interior (IP20). Tiene un ángulo de detección de 180°, un rango de 5 a 15mts y una carga máxima soportada de 1200W (Incand.) o 300W (LED).



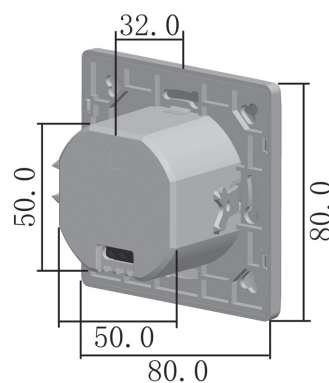
ILAR-00305

REFERENCE					
Reference	ILAR-00305	Detection Distance	5-15 mts Wall	Dimming	No
Voltage	220-240V/AC	Delay Time	10s-12min	Stand-by Dimming	No
Frequency	50/60Hz	Ambient Lighting	Yes	Stand-by Dimming Level	No
IP Rating	IP20	Installation Height	Wall 1-1.8 mts	Detection Range	Yes
Detection Angle	180°			Installation	Wall
Rated Load	Max. 1200W Incandescent Max. 300W LED			Type	Microwave

DIMENSION & WEIGHT

Length	80mm
Width	32mm
Height	80mm
Weight	12.5
Cut-out	Ø50mm
Itens per Box	100

SIZE AND ASSEMBLY



Designed by Aron Light in Portugal. Made in PRC

