

TECHNICAL INFORMATIONS

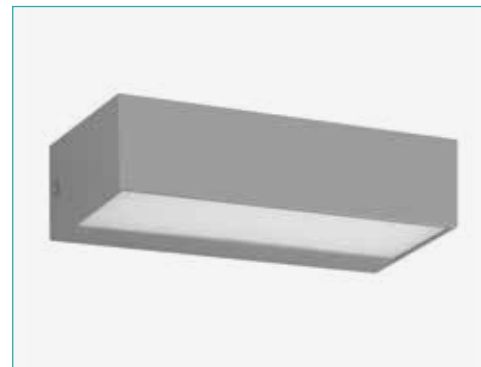
CANNA

12W 4000K CINZENTO

Linha de jardim com design moderno e LEDs SMD integrados. Materiais em plástico ABS PC.

Garden line with modern design and integrated SMD LEDs. Made of ABS PC plastic.

Linha de jardín de diseño moderno con Leds SMD integrados. Elaborado en plástico ABS PC.



ILAR-00358

REFERENCE

Reference	ILAR-00358
LED Brand	LED CREE
Body Material	ABS & PC
Housing Colour	Grey
Nominal Lifetime (EOL end of life)	30000H
Surface/Recessed	Surface
Dimmable	NO

DIMENSION & WEIGHT

Lenght	230mm
Width	101mm
Height	90mm
Packaging Unit	10 pcs / carton
Gross Weight	8 kg
Volume	33 dm ³

PHOTOMETRICAL DATA

Total Luminous Flux	580 lm
Luminous Efficacy	50lm/W
Beam Angle	120°
Colour Temperature	4000K
Colour Rendering Index	>80

ELECTRICAL AND OPERATING DATA

Nominal Wattage	12W
Nominal Voltage	220-240V
Operating Frequency	50/60Hz
Operating Temperature	- 25° C to + 45° C
Starting Time 100% ON	<0.5s
ON/OFF Cycles	>20000

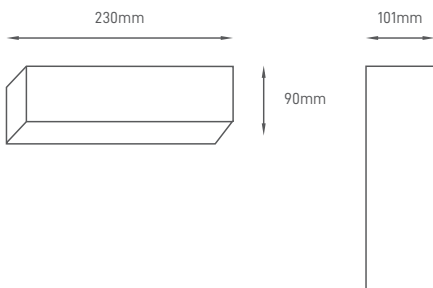
ENERGY LABEL & STANDARS

Energy Label	A+
Energy Consumption KWH/1000H	12 kwh
Type of Protection	IP65
Protection Class	Class II
Protecion Class IK (shock resistance)	IK08

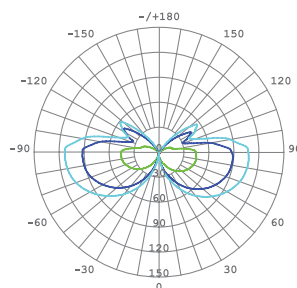
CERTIFICATIONS

2014/30/EU (EMC Directive)	YES
2014/35/EU (LVD Directive)	YES
ROHS	YES
ENEC	YES
Warranty	3 YEARS

SIZE



BEAM ANGLE



Designed by Aron Light in Portugal. Made in PRC

