

## TECHNICAL INFORMATIONS

### NOA

## 12W 4000K WHITE

Aplique de Jardim com luz direta e elevada luminosidade.

Garden Light with direct light and high brightness.

Luz de Jardín con luz directa y alto brillo.



**ILAR-00972**

#### REFERENCE

Reference	NOA
LED Type	SMD
Body Material	ABS & PC
Housing Colour	White
Nominal Lifetime (EOL end of life)	20000H
Surface/Recessed	Surface
Dimmable	NO

#### DIMENSION & WEIGHT

Lenght	230mm
Width	110mm
Height	75mm
Packaging Unit	20pcs / carton
Gross Weight	6 kg
Volume	59 dm <sup>3</sup>

#### PHOTOMETRICAL DATA

Total Luminous Flux	1200 lm
Luminous Efficacy	100 lm/W
Beam Angle	120°
Colour Temperature	4000K
Colour Rendering Index	>80

#### ELECTRICAL AND OPERATING DATA

Nominal Wattage	12W
Nominal Voltage	220-240V
Operating Frequency	50/60Hz
Operating Temperature	- 25° C to + 45° C
Starting Time 100% ON	<0.5s
ON/OFF Cycles	>20000

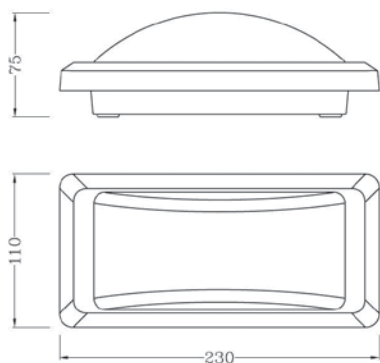
#### ENERGY LABEL & STANDARS

Energy Label	A+
Energy Consumption KWH/1000H	12 kwh
Type of Protection	IP65
Protection Class	Class II
Protecion Class IK (shock resistance)	IK06

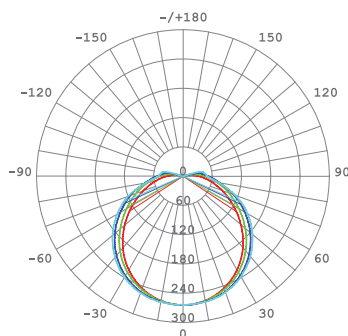
#### CERTIFICATIONS

2014/30/EU (EMC Directive)	YES
2014/35/EU (LVD Directive)	YES
CE	YES
ROHS	YES
ENEC	YES
Warranty	2 YEARS

#### SIZE



#### BEAM ANGLE



Designed by Aron Light in Portugal. Made in PRC

